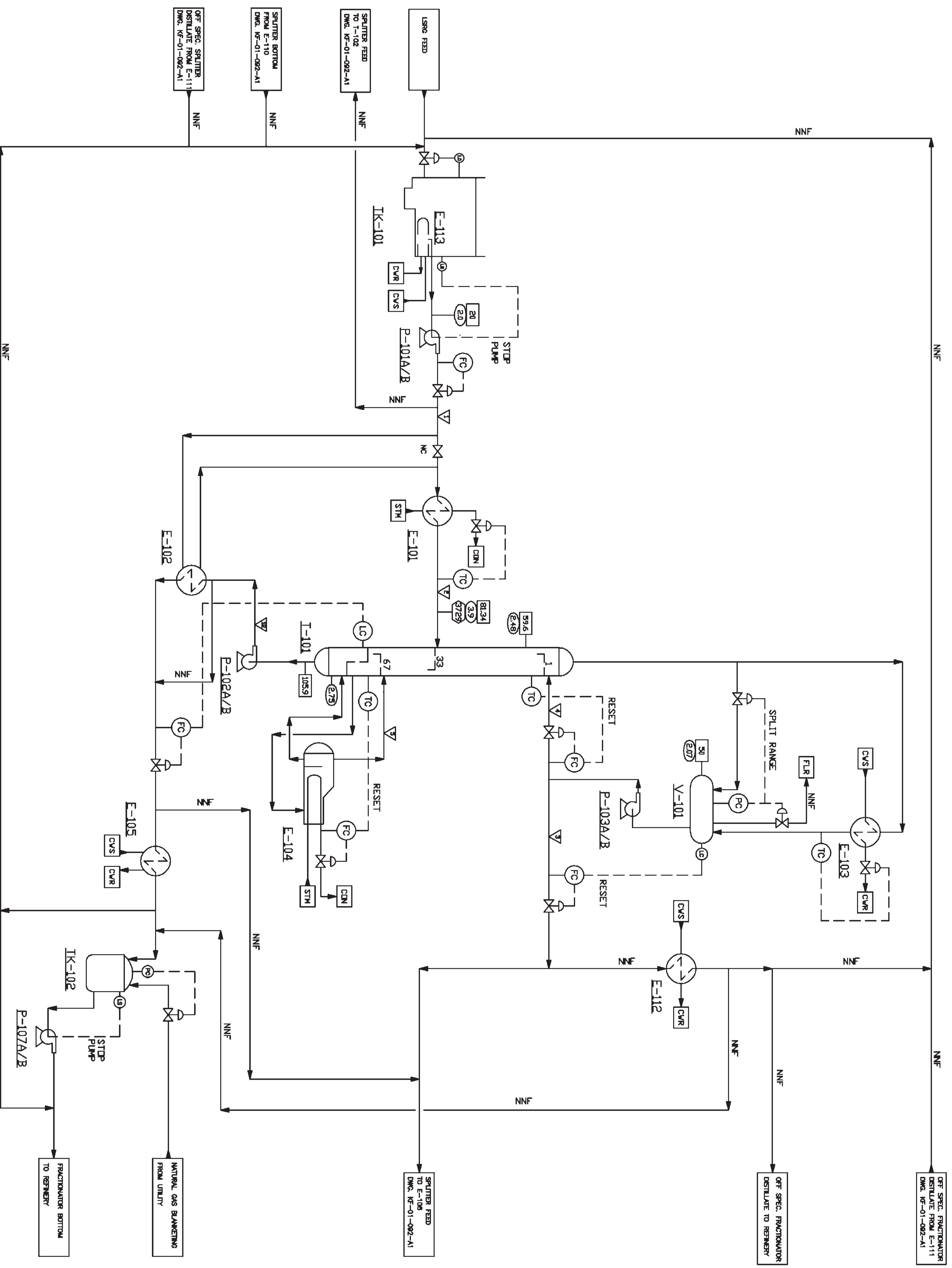


TK-101	E-113	E-101	E-102	T-101	E-103	E-104	E-105	V-101	TK-102	E-112
FEED STORAGE TANK	FEED STORAGE TANK COOLER	FRACTIONATOR FEED HEATER	FRACTIONATOR FEED HEAT EXCHANGER	FRACTIONATOR TOWER	FRACTIONATOR CONDENSER	FRACTIONATOR REBILDER	FRACTIONATOR BOTTOM COOLER	FRACTIONATOR RECEIVER	FRACTIONATOR BOTTOM TANK	OFF SPEC. PRODUCT COOLER
	DUTY: 2254 KJ/s	DUTY: 19431 KJ/s	DUTY: 8875 KJ/s		DUTY: 69177 KJ/s	DUTY: 73127 KJ/s	DUTY: 24511 KJ/s			DUTY: 151 KJ/s



P-101A/B	P-102A/B	P-103A/B	P-107A/B
FEED PUMP	FRACTIONATOR BOTTOM PUMP	FRACTIONATOR REFLUX PUMP	FRACTIONATOR BOTTOM TANK PUMP

NOTES:

LEGEND

- ▽ STREAM No.
- TEMP. , °C
- PRESS. , BAR A
- ◇ FLOW RATE , KG/HR
- ◇ CODING WATER SUPPLY
- ◇ CODING WATER RETURN
- ◇ STN STEAM
- ◇ CN CONDENSATE
- ◇ FLR FLARE

NO	REVISION	DATE	BY	CHKD	APP'D
1	ISSUE FOR REVISION				
2	ISSUE FOR TANK REVISION				
3	ISSUE FOR TANK REVISION				
4	ISSUE FOR TANK REVISION				
5	ISSUE FOR TANK REVISION				

N.A.O. RESEARCH INSTITUTE OP
PETROLEUM INDUSTRY
PROCESS ENGINEERING DEPT.

DRAWING TITLE : PENTANE PRODUCTION PLANT
PROCESS FLOW DIAGRAM
(SEPARATION SECTION)

SCALE: 1:1000

JOB NO. 1813048

DATE: 18/10/08

AREA CODE: 0408

NO: 01

DWG NO: K-01-091-A1