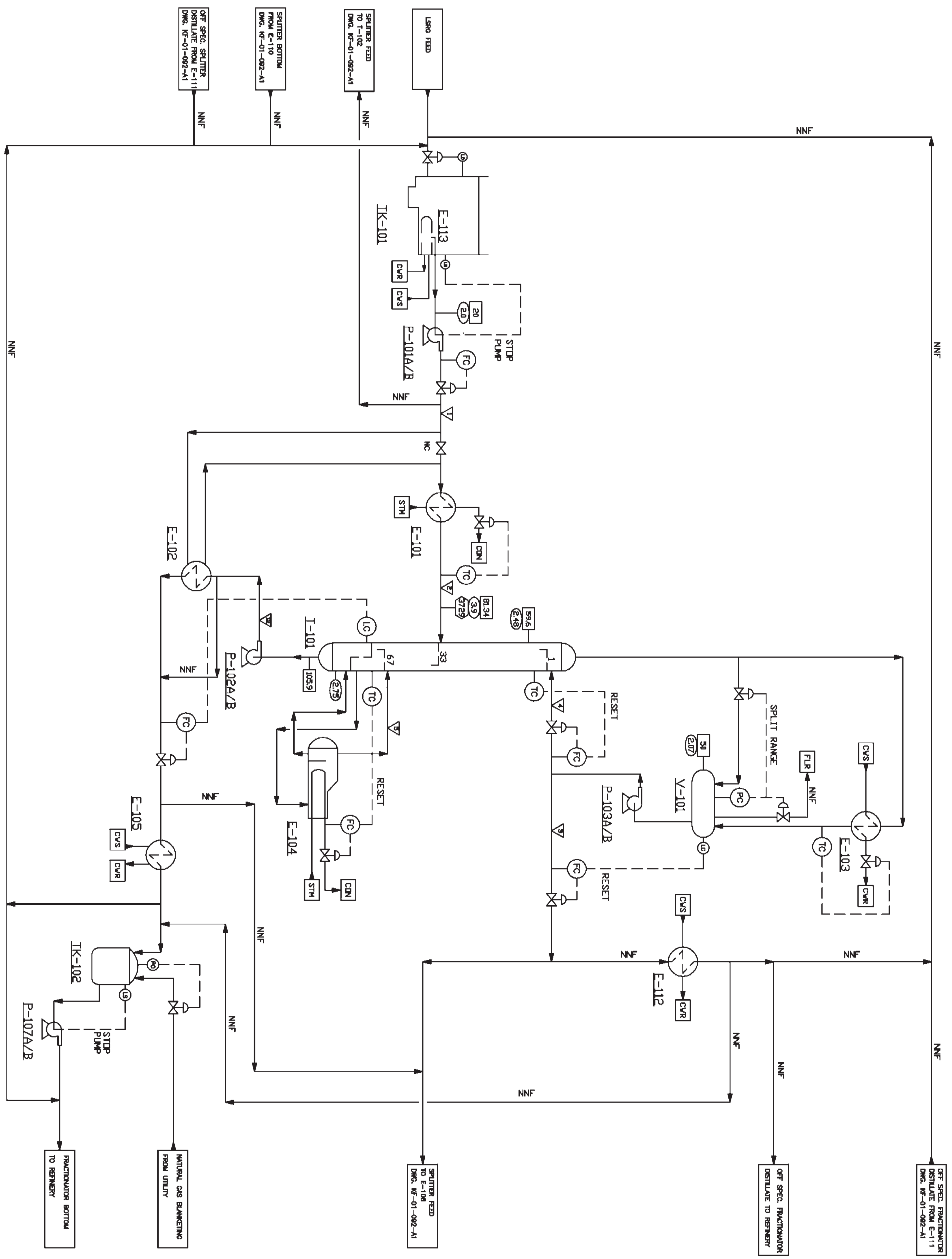


TK-101	FEED STORAGE TANK	E-113	FEED STORAGE TANK COOLER DUTY: 2254 KJ/s	E-101	FRACTIONATOR FEED HEATER DUTY: 19431 KJ/s	E-102	FRACTIONATOR FEED HEAT EXCHANGER DUTY: 9875 KJ/s	T-101	FRACTIONATOR TOWER	E-103	FRACTIONATOR CONDENSER DUTY: 69177 KJ/s	E-104	FRACTIONATOR REBILDER DUTY: 73127 KJ/s	E-105	FRACTIONATOR BOTTOM COOLER DUTY: 24531 KJ/s	V-101	FRACTIONATOR RECEIVER	TK-102	FRACTIONATOR BOTTOM TANK	E-112	OFF SPEC. PRODUCT COOLER DUTY: 1531 KJ/s
--------	-------------------	-------	---	-------	--	-------	---	-------	--------------------	-------	--	-------	---	-------	--	-------	-----------------------	--------	--------------------------	-------	---



NOTES:

LEGEND

- ▽ STEAM No.
- TEMP. , °C
- PRESS. , BAR A
- ◇ FLOW RATE , KG/R
- ◇ CODING WATER SUPPLY
- ◇ CODING WATER RETURN
- ◇ STN STEAM
- ◇ CDN CONDENSATE
- ◇ FLR FLARE

1	2nd ISSUE FOR KEMAHAMBAH REFINERY	ENKAB	18/03/08	18/03/08	18/03/08
2	3rd ISSUE FOR TANK REFINERY	ENKAB	18/03/08	18/03/08	18/03/08
3	4th ISSUE FOR TANK REFINERY	ENKAB	18/03/08	18/03/08	18/03/08
4	5th ISSUE FOR TANK REFINERY	ENKAB	18/03/08	18/03/08	18/03/08
5	6th ISSUE FOR TANK REFINERY	ENKAB	18/03/08	18/03/08	18/03/08
6	7th ISSUE FOR TANK REFINERY	ENKAB	18/03/08	18/03/08	18/03/08
7	8th ISSUE FOR TANK REFINERY	ENKAB	18/03/08	18/03/08	18/03/08
8	9th ISSUE FOR TANK REFINERY	ENKAB	18/03/08	18/03/08	18/03/08
9	10th ISSUE FOR TANK REFINERY	ENKAB	18/03/08	18/03/08	18/03/08
10	11th ISSUE FOR TANK REFINERY	ENKAB	18/03/08	18/03/08	18/03/08

N.M.O.C. RESEARCH INSTITUTE OF PETROLEUM INDUSTRY
 PROCESS ENGINEERING DEPT.
 DRAWING TITLE : PENTANE PRODUCTION PLANT (SEPARATION SECTION)
 PROCESS FLOW DIAGRAM
 SCALE CODE : 18/03/08
 JOB NO. : 18/03/08
 AREA CODE :
 DWG NO. : 18/03/08
 18/03/08